

INGL
Hadera Gas Import Termi
System Description

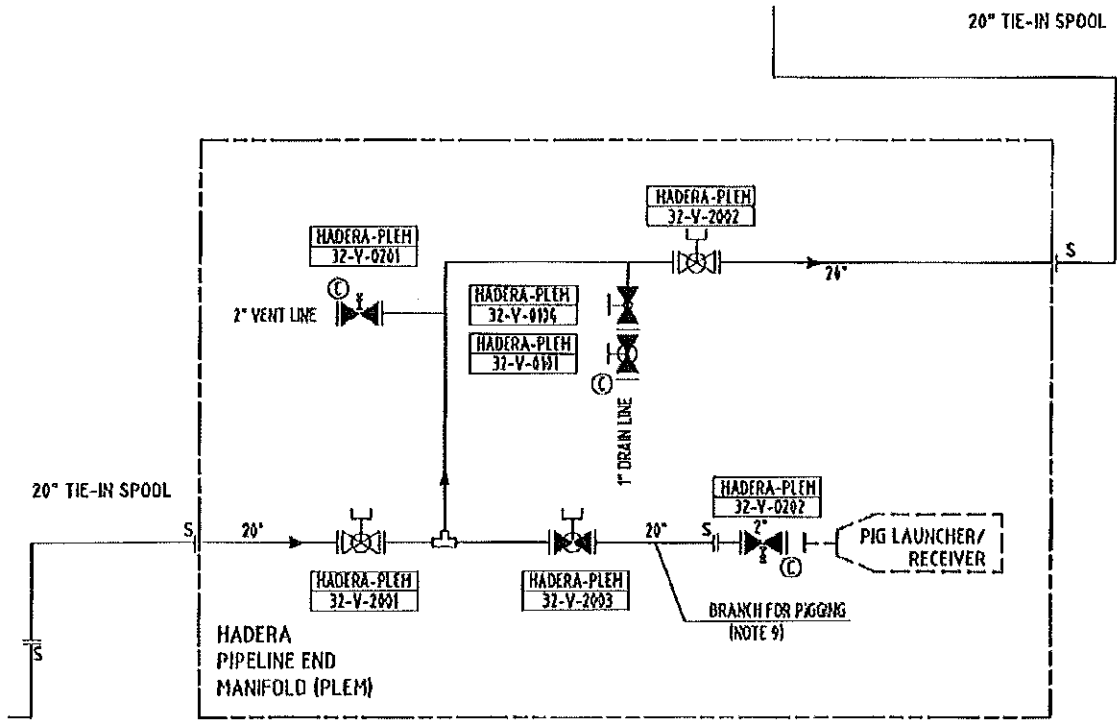


Figure 3.31 Hadera PLEM P&ID [67]

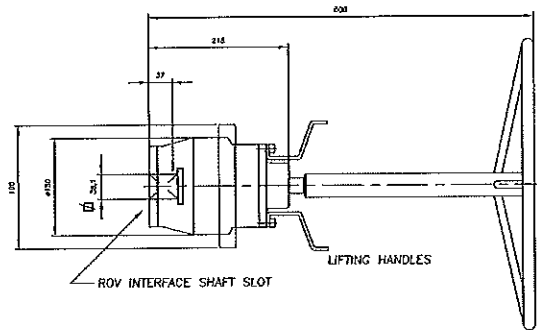


Figure 3.32 Mechanical Torque Tool

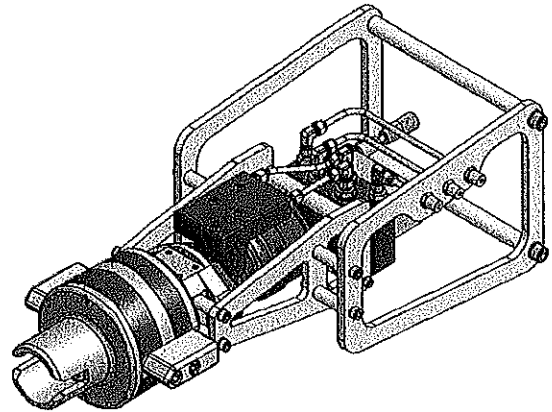


Figure 3.33 ROV Torque Tool

INGL
Hadera Gas Import Terminal
System Description

חברת הנפט והגז הישראלית
ISRAEL NATURAL GAS LINES LTD

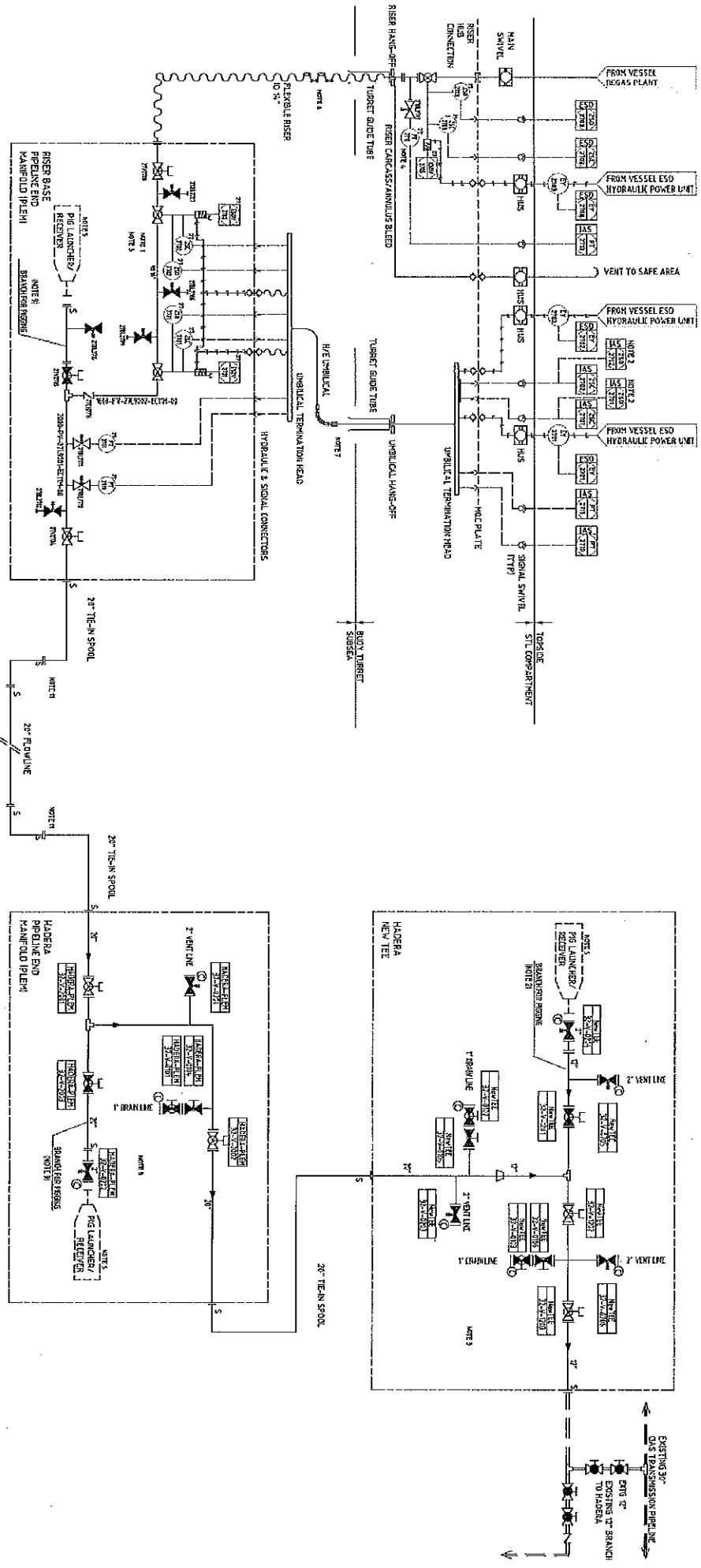


Figure 3.2 Overall System P&ID [67]

PR-11-1315-TEC-066, Rev. 01